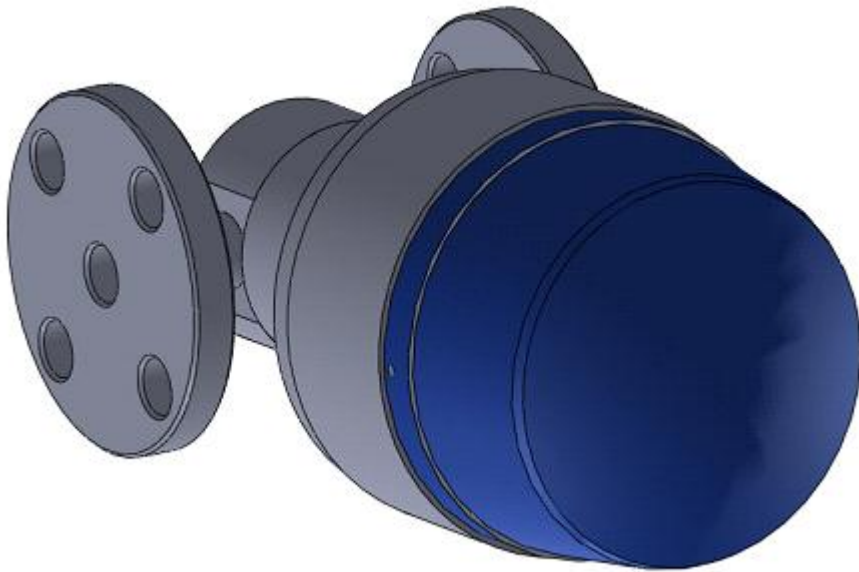




DY-FLOWTECH Inc.
(DONG YANG INSTRUMENT & TRADING CO., LTD)

DY-BH PPS series



Manufactured Since 1988

GENERAL SPECIFICATION

○ FEATURES

- ◇ High Accuracy $\pm 0.5\%$
- ◇ High Temp. and pressure up to 120°C , 20Kg
- ◇ Easy to read digital and analog display
- ◇ High, Low speed pulse signal output
- ◇ Low cost and Long life

○ BASIC METER

Normal Size	15, 20, 25, 32, 40, 50 mm	
Accuracy	within $\pm 0.5\%$	
Max operating pressure	10Kg, 20Kg	
Max operating temperature	70°C , 120°C ,	
Flange rating	ANSI #150, JIS10Kgf/cm ² , JIS20Kgf/cm ² , DIN 16bar ect.	
Material	Meter body	41C, SUS304, SUS316
	Rotor	PPS,
Display	Totalizing counter	11-digit LCD
	Reset counter	6-digit LCD
	Analog counter	4-digit and 8-digit
Power	Lithium battery, DC24V, AC220V	
Output	Pulse, 4~20mA analog	

○ MODEL CODE

Model	size	Max Temp	Mat'l	Display	Connection	Description	
BH	1	2				70°C	
						120°C	
			PPS				Body : 41C (DN20~DN50)
					0		6 digit Flowrate/11 digit Totalizer (Battery type)
					1		6 digit F/R /11 digit Totalizer/Pulse (Battery type)
					2		6 digit F/R /11 digit Totalizer/Pulse (DC24V)
					3		6 digit F/R /11 digit Totalizer/4-20mA (DC24V)
					4		6 digit F/R /11 digit Totalizer/4-20mA (AC220V)
					5		Analog type
						TRD	BSP,NPT,PT,PF Thread
						J10	JIS 10K
						J20	JIS 20K
						A15	ANSI 150#
						A30	ANSI 300#
						P16	PN16
						P25	PN25
						P40	PN40

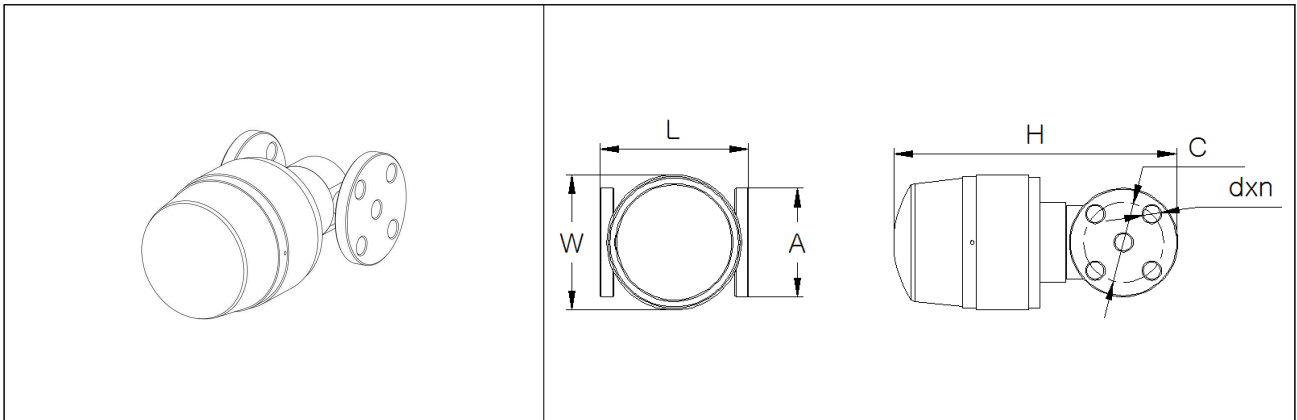
○ FLOW RANGE (BASIC OPTION)

MODEL	Size(mm)	Flow Range(m ³ /h)
BH PPS 15	15	0.01 ~ 0.3
BH PPS 20	20	0.02 ~ 1.2
BH PPS 25	25	0.18 ~ 3.6
BH PPS 32	32	0.24 ~ 4.8
BH PPS 40	40	0.6 ~ 15
BH PPS 50	50	0.9 ~ 21

○ PRINCIPLE

The flowmeter was designed a special two rotary of ovals for measuring the volume of liquid fluid when the fluid running into the meter pushes two ovals. The driving ovals drive a magnet coupling with a direct gear. Then the magnet coupling transmit to the totalizing counts with a gear too. It comes to measure the amount of the fluid that pass to the meter

○ DIMENSION



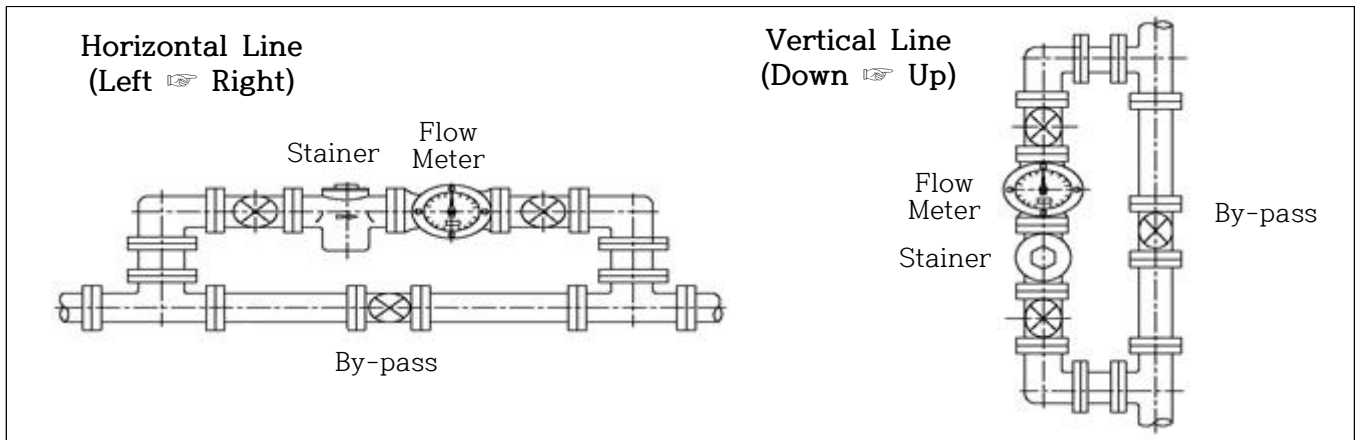
Size	L	H	W	A	C	d	N
BH15 PPS	130	222.5	114	95	70	15	4
BH20 PPS	170	170	114	100	75	15	4
BH25 PPS	200	238.5	114	125	90	19	4
BH32 PPS	200	253.5	114	135	100	19	4
BH40 PPS	220	216	160	140	105	19	4
BH50 PPS	240	243.5	170	155	120	19	4

For High Temp(MAX 120°C) - "H" dimension will be added +35(mm)
 For Display Option - "H" dimension will be added +10(mm)or +20(mm)

○ INSTALLATION

Flow meters are designed to measure flow in only one direction.

The direction is indicated by the arrow on the body.



Flow altering device such as elbows, valves and reducers can affect accuracy.

In order to enhance accuracy and maximize performance, follow as below guidelines.

- ◇ Upstream: allow a minimum straight pipe length at least 10 times the internal diameter of the pipe. For example, with the 50mm pipe, there should be 500mm of straight pipe immediately upstream. Desired upstream straight pipe length is 1000mm.
- ◇ Downstream: allow a minimum straight pipe length at least 5 times the internal diameter of the pipe. For example, with the 50mm pipe, there should be 250mm of straight pipe immediately upstream. Desired upstream straight pipe length is 500mm.

※ CAUTION

1. Dirt and particles inside the piping cause problem to the flowmeter.
Take special care when installing to new piping, because new piping may have welding debris.
2. Indicator must be installed at eye level and must not face upwards.

DY-FLOWTECH Inc.

(DONGYANG INSTRUMENT AND TRADING CO.,LTD)

#135-2, Gagok-li, Hwado-yp, Namyangju-si,

Geonggi-do, 472-841, Korea

[TEL] : +82-31-594-4748

[FAX] : +82-31-594-4749

dyit4514@naver.com